

ORTHOCAST

M-SERIES

The advantage is in the detail.

Ortho-Cast M-Series

A series of buccal tubes in a class of their own.



● Ortho-Cast M-Series
non-convertible



single
rectangular

double
rectangular

● Ortho-Cast M-Series
convertible



single
rectangular

double
rectangular

● Ortho-Cast M-Series
convertible



double
combination

triple
combination

● Ortho-Cast M-Series mini
non-convertible



single
rectangular

Perfect in function and design.

Just like the Dentaurem brackets, the buccal tubes are manufactured using state-of-the-art design and production techniques.

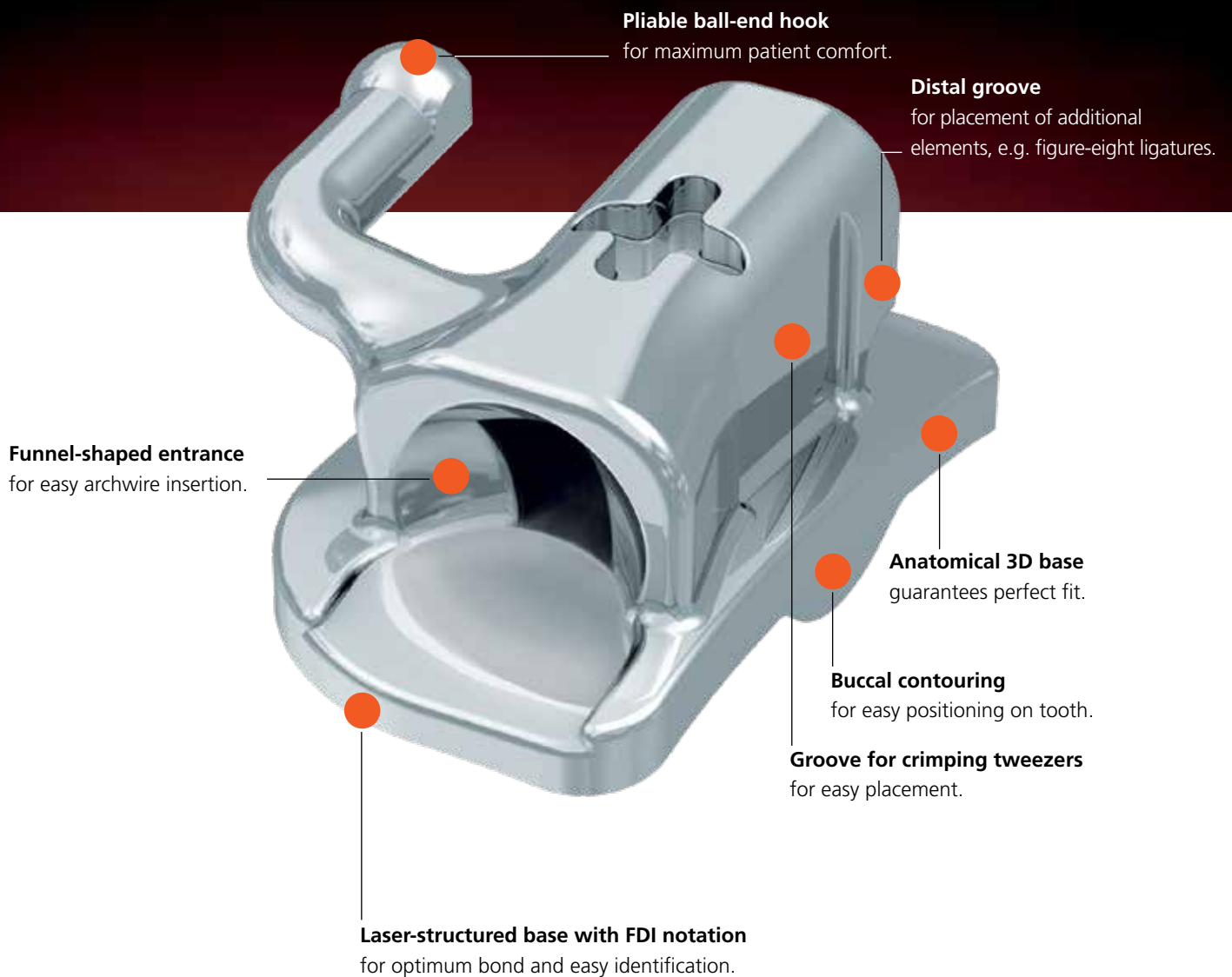
The Ortho-Cast M-Series buccal tubes offer the user many features for simple and safe handling. The user also has maximum freedom of choice for individual treatment: Ortho-Cast M-Series single or double rectangular, convertible or non-convertible, for the bonding or for the banding technique.

- New: Double and triple combination, convertible, for the banding technique.
- Genuine one-piece buccal tube for high biocompatibility.
- 3D base with laser-structured pad for perfect fit and excellent retention.
- Marking with + (upper jaw) / - (lower jaw) and FDI notation in the bonding technique for easy matching to tooth.
- Pliable ball-end hook for versatility and customization of treatment.

ORTHOCAST

M-SERIES

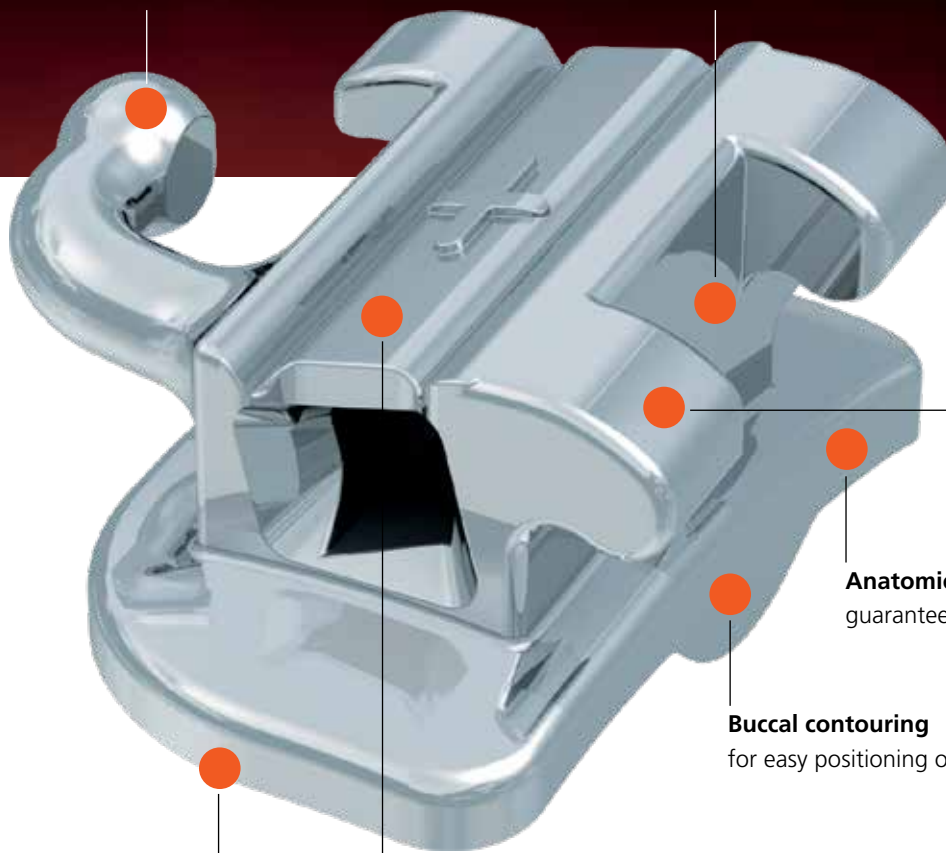
single rectangular
non-convertible



single rectangular
convertible

Pliable ball-end hook
for maximum patient comfort.

Groove for crimping tweezers
for easy placement.



Rounded wings
for high level of
patient comfort.

Anatomical 3D base
guarantees perfect fit.

Buccal contouring
for easy positioning on tooth.

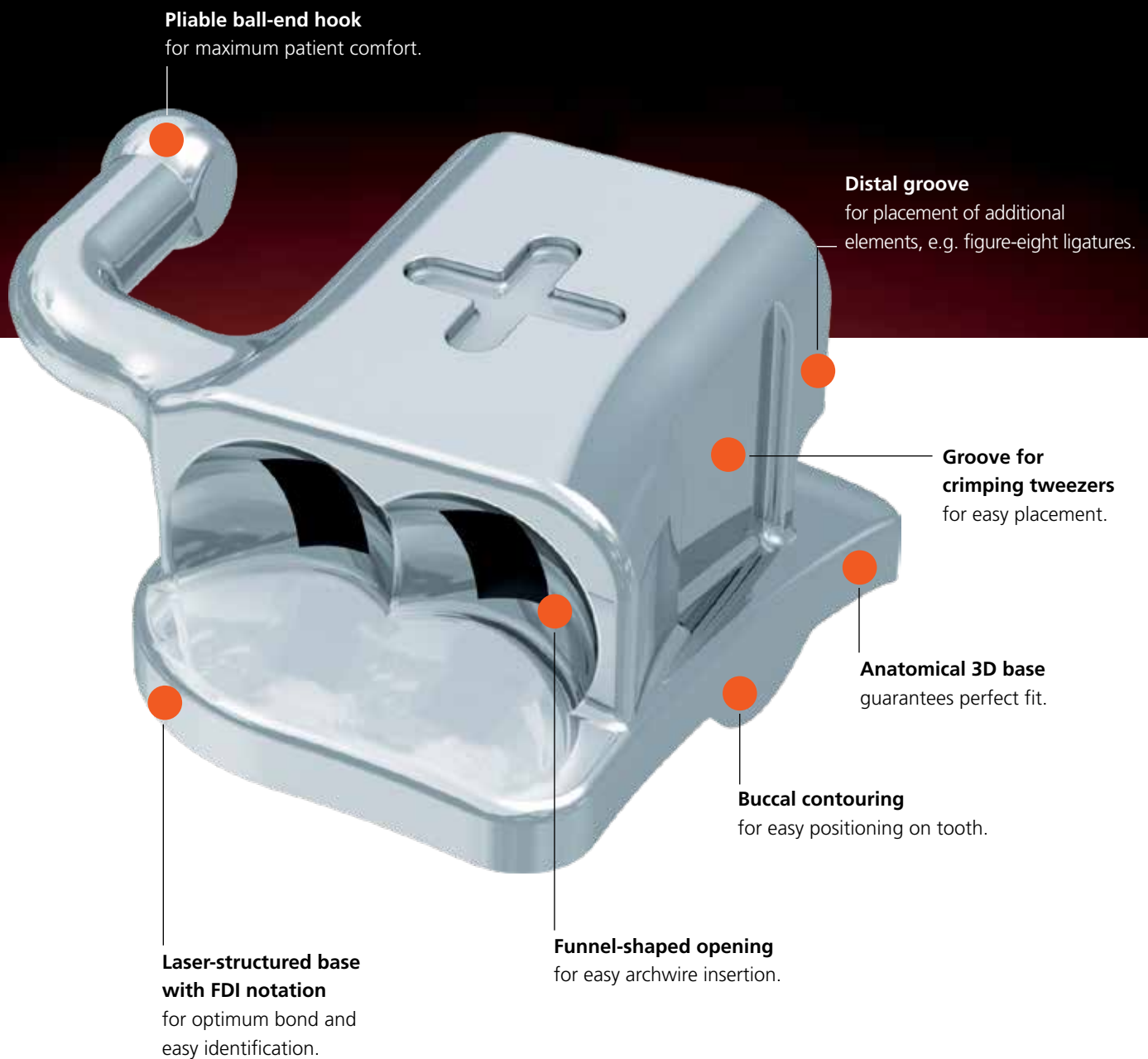
**Laser-structured base
with FDI notation**
for optimum bond and
easy identification.

Innovative conversion cap
offers flexibility during therapy planning.
The cap can be removed quickly and easily.

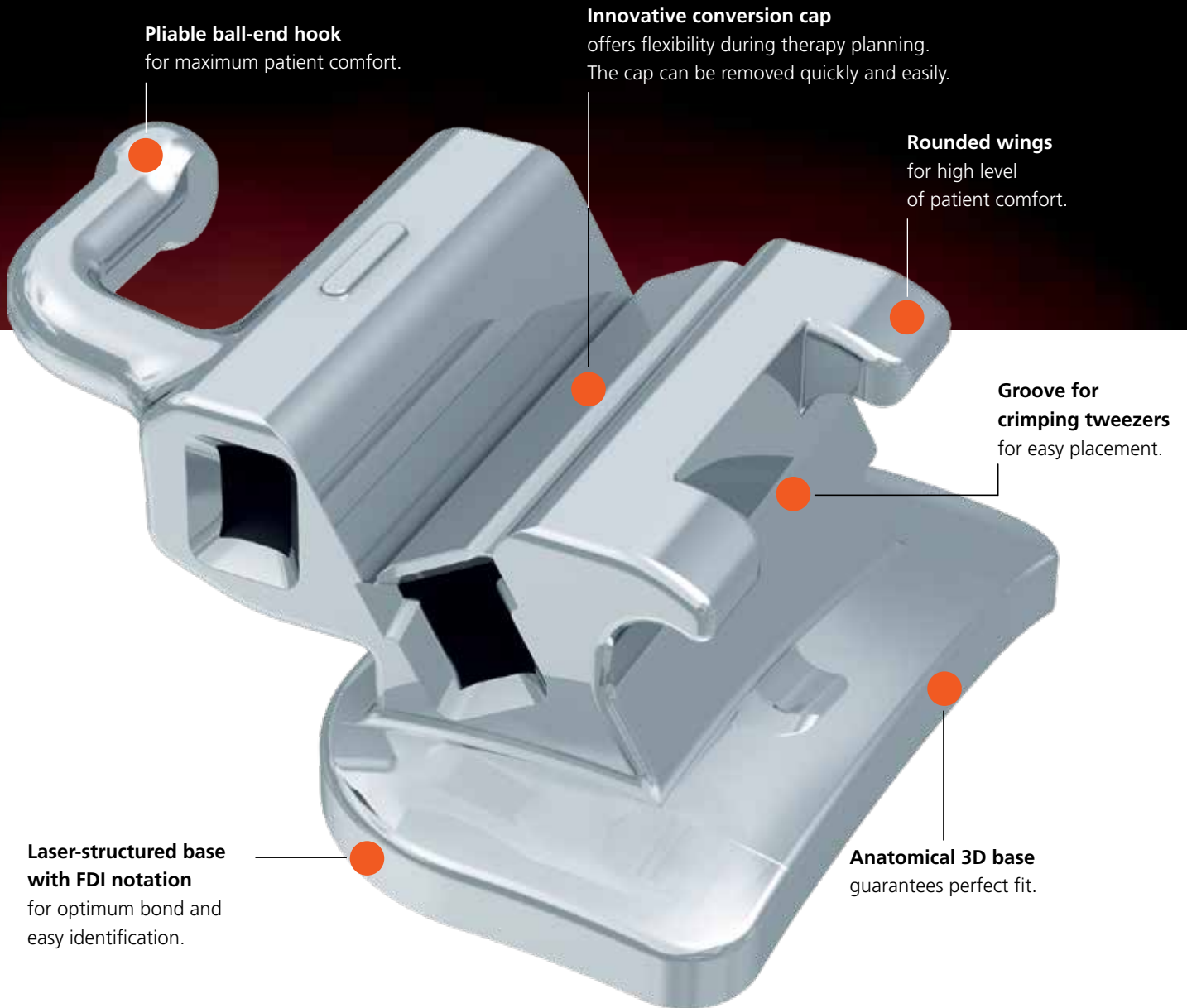
ORTHOCAST

M-SERIES

double rectangular
non-convertible



double rectangular
convertible



ORTHOCAST

M-SERIES

double combination
convertible

Pliable ball-end hook
for maximum patient comfort.

Easy matching to correct tooth
+ (upper jaw)

Innovative conversion cap
offers flexibility during therapy
planning. The cap can be removed
quickly and easily.

Undercuts
for easy ligation
after converting.

Anatomical 3D base
guarantees perfect fit.

Especially
for the
banding
technique.

triple combination
convertible

Pliable ball-end hook
for maximum patient comfort.

Innovative conversion cap
offers flexibility during therapy planning.
The cap can be removed quickly and easily.

Easy matching
to correct tooth
+ (upper jaw)

Anatomical 3D base
guarantees perfect fit.

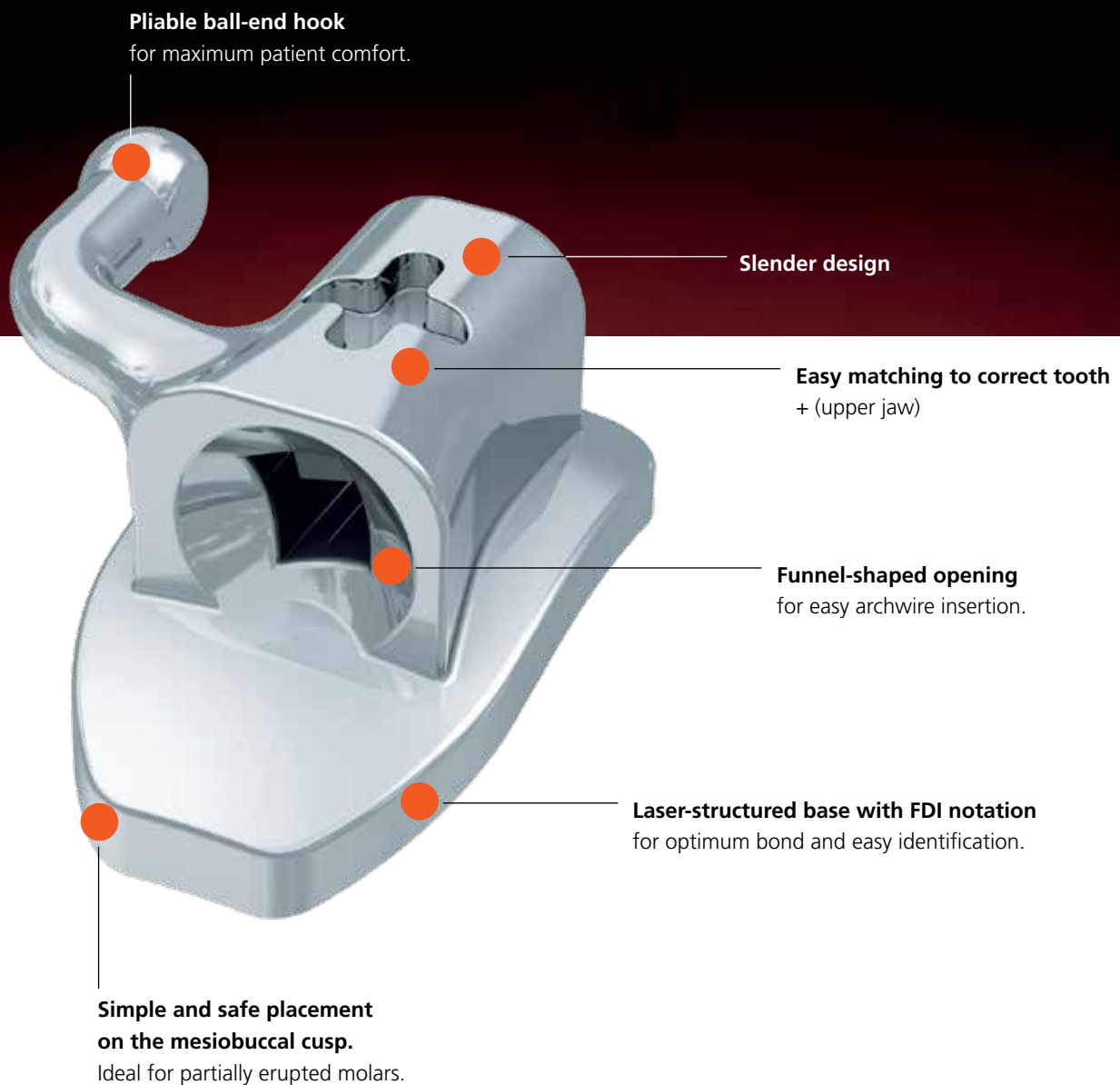
Undercuts
for easy ligation
after converting

Especially
for the
banding
technique.

ORTHOCAST MINI

M-SERIES

single rectangular
non-convertible



Especially
for the
bonding
technique.

Ortho-Cast M-Series

Accessories



Easy placement

using our specially designed crimping tweezers (REF 025-280-00).



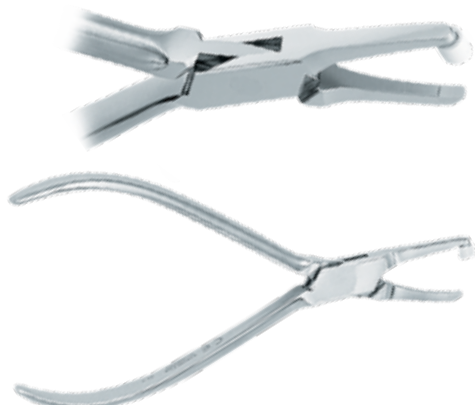
Optimum conversion

using the specially designed cap removal pliers (REF 003-805-00).



Easy removal of buccal tubes fixed with adhesive

using the angled bracket removing pliers REF 004-347-00



Easy removal of bands

with the Oliver Jones band removing pliers (REF 026-347-00).

CONTEC Ic



CONTEC Ic set (REF 163-110-00) consisting of:

- 3 x 3 g CONTEC Ic adhesive
- 1 x 5 ml CONTEC Ic/lcr primer
- 2 x 2.5 ml CONTEC etching gel
- 6 x CONTEC disposable tubes for etching gel
- 50 x CONTEC disposable brushes
- 1 x CONTEC combination instrument
- 1 x CONTEC mixing pad

For approx. 800 brackets (40 treatment cases).



single pack	Contents	REF
CONTEC Ic adhesive	2 x 3 g syringes	163-111-00
CONTEC Ic/lcr primer	1 x 5 ml bottle	163-113-10
CONTEC plastic primer	1 x 5 ml bottle	163-100-10
CONTEC etching gel	2 x 2.5 ml syringe	163-115-00

Developed in cooperation with:

SAREMCO
DENTAL

*When used with metal and ceramic brackets, CONTEC Ic is free of BisGMA (bisphenol A glycerolate dimethacrylate), TEGDMA (triethylene glycol dimethacrylate) and HEMA (hydroxyethyl methacrylate).
CONTEC Ic, used with plastic brackets, is free of TEGDMA and HEMA.

Product overview

Bonding technique

single rectangular

Ortho-Cast M-Series mini 18/22

non-convertible · Quantity: 10 pieces



Teeth	Torque	Distal offset	Hook	Width	REF (18)	REF (22)	System
17	- 14°	0°	•	2.5 mm	818-411-17	822-411-17	Roth
27	- 14°	0°	•	2.5 mm	818-411-27	822-411-27	Roth
17	- 14°	0°	•	2.5 mm	818-412-17	822-412-17	McLaughlin-Bennett-Trevisi**
27	- 14°	0°	•	2.5 mm	818-412-27	822-412-27	McLaughlin-Bennett-Trevisi**
17	0°	0°	•	2.5 mm	818-413-17		Ricketts® Universal
27	0°	0°	•	2.5 mm	818-413-27		Ricketts® Universal
17	0°	0°	•	2.5 mm	818-415-17	822-415-17	Standard Edgewise
27	0°	0°	•	2.5 mm	818-415-27	822-415-27	Standard Edgewise

Teeth	Torque	Distal offset	Hook	Width	REF (18)	REF (22)	System
47	- 30°	0°	•	2.5 mm	818-411-47	822-411-47	Roth
37	- 30°	0°	•	2.5 mm	818-411-37	822-411-37	Roth
47	- 10°	0°	•	2.5 mm	818-412-47	822-412-47	McLaughlin-Bennett-Trevisi**
37	- 10°	0°	•	2.5 mm	818-412-37	822-412-37	McLaughlin-Bennett-Trevisi**
46	- 20°	0°	•	2.5 mm	818-412-46	822-412-46	McLaughlin-Bennett-Trevisi**
36	- 20°	0°	•	2.5 mm	818-412-36	822-412-36	McLaughlin-Bennett-Trevisi**
47	0°	0°	•	2.5 mm	818-413-47		Ricketts® Universal
37	0°	0°	•	2.5 mm	818-413-37		Ricketts® Universal
47	0°	0°	•	2.5 mm	818-415-47	822-415-47	Standard Edgewise
37	0°	0°	•	2.5 mm	818-415-37	822-415-37	Standard Edgewise



Ortho-Cast M-Series 18/22

non-convertible · Quantity: 10 pieces



Teeth	Torque	Distal offset	Hook	Width	REF (18)	REF (22)	System
16	- 14°	14°	•	3.3 mm	818-211-16	822-211-16	Roth
26	- 14°	14°	•	3.3 mm	818-211-26	822-211-26	Roth
16	- 14°	10°	•	3.3 mm	818-212-16	822-212-16	McLaughlin-Bennett-Trevisi**
26	- 14°	10°	•	3.3 mm	818-212-26	822-212-26	McLaughlin-Bennett-Trevisi**
16	0°	0°	•	3.3 mm	818-215-16	822-215-16	Standard Edgewise
26	0°	0°	•	3.3 mm	818-215-26	822-215-26	Standard Edgewise

Teeth	Torque	Distal offset	Hook	Width	REF (18)	REF (22)	System
46	- 30°	4°	•	3.3 mm	818-211-46	822-211-46	Roth
36	- 30°	4°	•	3.3 mm	818-211-36	822-211-36	Roth
47	- 10°	0°	•	3.3 mm	818-212-47	822-212-47	McLaughlin-Bennett-Trevisi**
37	- 10°	0°	•	3.3 mm	818-212-37	822-212-37	McLaughlin-Bennett-Trevisi**
46	- 20°	0°	•	3.3 mm	818-212-46	822-212-46	McLaughlin-Bennett-Trevisi**
36	- 20°	0°	•	3.3 mm	818-212-36	822-212-36	McLaughlin-Bennett-Trevisi**
46	0°	0°	•	3.3 mm	818-215-46	822-215-46	Standard Edgewise
36	0°	0°	•	3.3 mm	818-215-36	822-215-36	Standard Edgewise
46	- 25°	0°	•	3.3 mm	818-219-46	822-219-46	
36	- 25°	0°	•	3.3 mm	818-219-36	822-219-36	



CE 0483

Slot 18: 0.46 x 0.64 mm / 18 x 25

Slot 22: 0.56 x 0.70 mm / 22 x 28

** The Dentaurem version of this prescription is not claimed to be a duplication of any other, nor does Dentaurem imply that it is endorsed in any way by Drs. McLaughlin, Bennett and Trevisi.

Maxillary

Mandibular

Bonding technique

single rectangular



Ortho-Cast M-Series 18/22

convertible · Quantity: 10 pieces

Teeth	Torque	Distal offset	Hook	Width	REF (18)	REF (22)	System
16	- 14°	14°	•	3.3 mm	818-111-16	822-111-16	Roth
26	- 14°	14°	•	3.3 mm	818-111-26	822-111-26	Roth
16	- 14°	10°	•	3.3 mm	818-112-16	822-112-16	McLaughlin-Bennett-Trevisi**
26	- 14°	10°	•	3.3 mm	818-112-26	822-112-26	McLaughlin-Bennett-Trevisi**



Teeth	Torque	Distal offset	Hook	Width	REF (18)	REF (22)	System
46	- 30°	4°	•	3.3 mm	818-111-46	822-111-46	Roth
36	- 30°	4°	•	3.3 mm	818-111-36	822-111-36	Roth
46	- 20°	0°	•	3.3 mm	818-112-46	822-112-46	McLaughlin-Bennett-Trevisi**
36	- 20°	0°	•	3.3 mm	818-112-36	822-112-36	McLaughlin-Bennett-Trevisi**

CE 0483

Slot 18: 0.46 x 0.64 mm / 18 x 25

Slot 22: 0.56 x 0.70 mm / 22 x 28

** The Dentaaurum version of this prescription is not claimed to be a duplication of any other, nor does Dentaaurum imply that it is endorsed in any way by Drs. McLaughlin, Bennett and Trevisi.

double rectangular



Ortho-Cast M-Series 18/22

non-convertible · Quantity: 10 pieces

Teeth	Torque	Distal offset	Hook	Width	REF (18)	REF (22)	System
16	- 14°	14°	•	3.3 mm	818-221-16	822-221-16	Roth
26	- 14°	14°	•	3.3 mm	818-221-26	822-221-26	Roth
16	- 14°	10°	•	3.3 mm	818-222-16	822-222-16	McLaughlin-Bennett-Trevisi**
26	- 14°	10°	•	3.3 mm	818-222-26	822-222-26	McLaughlin-Bennett-Trevisi**



Teeth	Torque	Distal offset	Hook	Width	REF (18)	REF (22)	System
46	- 30°	4°	•	3.3 mm	818-221-46	822-221-46	Roth
36	- 30°	4°	•	3.3 mm	818-221-36	822-221-36	Roth
46	- 20°	0°	•	3.3 mm	818-222-46	822-222-46	McLaughlin-Bennett-Trevisi**
36	- 20°	0°	•	3.3 mm	818-222-36	822-222-36	McLaughlin-Bennett-Trevisi**

CE 0483

Slot 18: 0.46 x 0.64 mm / 18 x 25 · Slot auxiliary tube: 0.46 x 0.64 mm / 18 x 25

Slot 22: 0.56 x 0.70 mm / 22 x 28 · Slot auxiliary tube: 0.46 x 0.64 mm / 18 x 25

** The Dentaaurum version of this prescription is not claimed to be a duplication of any other, nor does Dentaaurum imply that it is endorsed in any way by Drs. McLaughlin, Bennett and Trevisi.

Bonding technique

double rectangular

Ortho-Cast M-Series 18/22

convertible · Quantity: 10 pieces



Teeth	Torque	Distal offset	Hook	Width	REF (18)	REF (22)	System
16	- 14°	14°	•	3.3 mm	818-121-16	822-121-16	Roth
26	- 14°	14°	•	3.3 mm	818-121-26	822-121-26	Roth
16	- 14°	10°	•	3.3 mm	818-122-16	822-122-16	McLaughlin-Bennett-Trevisi**
26	- 14°	10°	•	3.3 mm	818-122-26	822-122-26	McLaughlin-Bennett-Trevisi**



Teeth	Torque	Distal offset	Hook	Width	REF (18)	REF (22)	System
46	- 30°	4°	•	3.3 mm	818-121-46	822-121-46	Roth
36	- 30°	4°	•	3.3 mm	818-121-36	822-121-36	Roth
46	- 20°	0°	•	3.3 mm	818-122-46	822-122-46	McLaughlin-Bennett-Trevisi**
36	- 20°	0°	•	3.3 mm	818-122-36	822-122-36	McLaughlin-Bennett-Trevisi**

CE 0483

Slot 18: 0.46 x 0.64 mm / 18 x 25 · Slot auxiliary tube: 0.46 x 0.64 mm / 18 x 25

Slot 22: 0.56 x 0.70 mm / 22 x 28 · Slot auxiliary tube: 0.46 x 0.64 mm / 18 x 25

** The Dentaaurum version of this prescription is not claimed to be a duplication of any other, nor does Dentaaurum imply that it is endorsed in any way by Drs. McLaughlin, Bennett and Trevisi.

Banding technique

single rectangular

Ortho-Cast M-Series 18/22

non-convertible · Quantity: 10 pieces



Teeth	Torque	Distal offset	Hook	Width	REF (18)	REF (22)	System
17-16	- 14°	10°	•	3.3 mm	818-212-10	822-212-10	McLaughlin-Bennett-Trevisi**
26-27	- 14°	10°	•	3.3 mm	818-212-20	822-212-20	McLaughlin-Bennett-Trevisi**
17-16	- 10°	8°	•	3.3 mm	818-217-10	822-217-10	
26-27	- 10°	8°	•	3.3 mm	818-217-20	822-217-20	



Teeth	Torque	Distal offset	Hook	Width	REF (18)	REF (22)	System
47	- 10°	0°	•	3.3 mm	818-512-40	822-512-40	McLaughlin-Bennett-Trevisi**
37	- 10°	0°	•	3.3 mm	818-512-30	822-512-30	McLaughlin-Bennett-Trevisi**
47-46	- 25°	8°	•	3.3 mm	818-217-40	822-217-40	
36-37	- 25°	8°	•	3.3 mm	818-217-30	822-217-30	
47-46	- 30°	12°	•	3.3 mm	818-218-40	822-218-40	
36-37	- 30°	12°	•	3.3 mm	818-218-30	822-218-30	

CE 0483

Slot 18: 0.46 x 0.64 mm / 18 x 25

Slot 22: 0.56 x 0.70 mm / 22 x 28

** The Dentaaurum version of this prescription is not claimed to be a duplication of any other, nor does Dentaaurum imply that it is endorsed in any way by Drs. McLaughlin, Bennett and Trevisi.

Maxillary

Mandibular

Banding technique

single rectangular



Ortho-Cast M-Series 18/22 convertible · Quantity: 10 pieces

Teeth	Torque	Distal offset	Hook	Width	REF (18)	REF (22)	System
17-16	- 14°	14°	•	3.3 mm	818-111-10	822-111-10	Roth
26-27	- 14°	14°	•	3.3 mm	818-111-20	822-111-20	Roth
17-16	- 14°	10°	•	3.3 mm	818-112-10	822-112-10	McLaughlin-Bennett-Trevisi**
26-27	- 14°	10°	•	3.3 mm	818-112-20	822-112-20	McLaughlin-Bennett-Trevisi**



Teeth	Torque	Distal offset	Hook	Width	REF (18)	REF (22)	System
47-46	- 30°	4°	•	3.3 mm	818-111-40	822-111-40	Roth
36-37	- 30°	4°	•	3.3 mm	818-111-30	822-111-30	Roth
47-46	- 20°	0°	•	3.3 mm	818-112-40	822-112-40	McLaughlin-Bennett-Trevisi** for 1st molar
36-37	- 20°	0°	•	3.3 mm	818-112-30	822-112-30	McLaughlin-Bennett-Trevisi** for 1st molar

CE 0483

Slot 18: 0.46 x 0.64 mm / 18 x 25
Slot 22: 0.56 x 0.70 mm / 22 x 28

** The Dentaaurum version of this prescription is not claimed to be a duplication of any other, nor does Dentaaurum imply that it is endorsed in any way by Drs. McLaughlin, Bennett and Trevisi.

Banding technique

double rectangular



Ortho-Cast M-Series 18/22 non-convertible · Quantity: 10 pieces

Teeth	Torque	Distal offset	Hook	Width	REF (18)	REF (22)	System
17-16	- 14°	14°	•	3.3 mm	818-221-10	822-221-10	Roth
26-27	- 14°	14°	•	3.3 mm	818-221-20	822-221-20	Roth
17-16	- 14°	10°	•	3.3 mm	818-222-10	822-222-10	McLaughlin-Bennett-Trevisi**
26-27	- 14°	10°	•	3.3 mm	818-222-20	822-222-20	McLaughlin-Bennett-Trevisi**
17-16	- 9°	10°	•	3.6 mm	818-227-10	822-227-10	
26-27	- 9°	10°	•	3.6 mm	818-227-20	822-227-20	



Teeth	Torque	Distal offset	Hook	Width	REF (18)	REF (22)	System
47-46	- 30°	4°	•	3.3 mm	818-221-40	822-221-40	Roth
36-37	- 30°	4°	•	3.3 mm	818-221-30	822-221-30	Roth
47-46	- 20°	0°	•	3.3 mm	818-222-40	822-222-40	McLaughlin-Bennett-Trevisi** for 1st molar
36-37	- 20°	0°	•	3.3 mm	818-222-30	822-222-30	McLaughlin-Bennett-Trevisi** for 1st molar
47-46	- 22°	12°	•	3.6 mm	818-224-40	822-224-40	Ricketts 18 – IV. Dimension for 1st molar
36-37	- 22°	12°	•	3.6 mm	818-224-30	822-224-30	Ricketts 18 – IV. Dimension for 1st molar

CE 0483

Slot 18: 0.46 x 0.64 mm / 18 x 25 · Slot auxiliary tube: 0.46 x 0.64 mm / 18 x 25
Slot 22: 0.56 x 0.70 mm / 22 x 28 · Slot auxiliary tube: 0.46 x 0.64 mm / 18 x 25

** The Dentaaurum version of this prescription is not claimed to be a duplication of any other, nor does Dentaaurum imply that it is endorsed in any way by Drs. McLaughlin, Bennett and Trevisi.

Banding technique

double rectangular

Ortho-Cast M-Series 18/22

convertible · Quantity: 10 pieces

Teeth	Torque	Distal offset	Hook	Width	REF (18)	REF (22)	System
17-16	- 14°	14°	•	3.3 mm	818-121-10	822-121-10	Roth
26-27	- 14°	14°	•	3.3 mm	818-121-20	822-121-20	Roth
17-16	- 14°	10°	•	3.3 mm	818-122-10	822-122-10	McLaughlin-Bennett-Trevisi**
26-27	- 14°	10°	•	3.3 mm	818-122-20	822-122-20	McLaughlin-Bennett-Trevisi**



Teeth	Torque	Distal offset	Hook	Width	REF (18)	REF (22)	System
47-46	0°	0°	•	3.6 mm	818-125-40	822-125-40	Ricketts® Universal 18, Standard Edgewise
36-37	0°	0°	•	3.6 mm	818-125-30	822-125-30	Ricketts® Universal 18, Standard Edgewise



CE 0483

Slot 18: 0.46 x 0.64 mm / 18 x 25 · Slot auxiliary tube: 0.46 x 0.64 mm / 18 x 25
Slot 22: 0.56 x 0.70 mm / 22 x 28 · Slot auxiliary tube: 0.46 x 0.64 mm / 18 x 25

** The Dentaaurum version of this prescription is not claimed to be a duplication of any other, nor does Dentaaurum imply that it is endorsed in any way by Drs. McLaughlin, Bennett and Trevisi.

Ortho-Cast M-Series 18/22

convertible · auxiliary tube placed in gingival/buccal direction · Quantity: 10 pieces

Teeth	Torque	Distal offset	Hook	Width	REF (18)	REF (22)	System
47-46	- 30°	4°	•	3.6 mm	818-151-40	822-151-40	Roth
36-37	- 30°	4°	•	3.6 mm	818-151-30	822-151-30	Roth
47-46	- 20°	0°	•	3.6 mm	818-152-40	822-152-40	McLaughlin-Bennett-Trevisi** for 1st molar
36-37	- 20°	0°	•	3.6 mm	818-152-30	822-152-30	McLaughlin-Bennett-Trevisi** for 1st molar



CE 0483

Slot 18: 0.46 x 0.64 mm / 18 x 25 · Slot auxiliary tube: 0.46 x 0.64 mm / 18 x 25
Slot 22: 0.56 x 0.70 mm / 22 x 28 · Slot auxiliary tube: 0.46 x 0.64 mm / 18 x 25

** The Dentaaurum version of this prescription is not claimed to be a duplication of any other, nor does Dentaaurum imply that it is endorsed in any way by Drs. McLaughlin, Bennett and Trevisi.

Banding technique

double combination

Ortho-Cast M-Series 18/22

convertible · with lip bumper/facebow tube occlusal · Quantity: 10 pieces

Teeth	Torque	Distal offset	Hook	Width	REF (18)	REF (22)	System
17-16	- 14°	14°	•	3.6 mm	818-141-10	822-141-10	Roth
26-27	- 14°	14°	•	3.6 mm	818-141-20	822-141-20	Roth
17-16	- 14°	10°	•	3.6 mm		822-142-10	McLaughlin-Bennett-Trevisi**
26-27	- 14°	10°	•	3.6 mm		822-142-20	McLaughlin-Bennett-Trevisi**



CE 0483

Slot 18: 0.46 x 0.64 mm / 18 x 25 - Slot round tube: 1.15 mm / 45 (occlusal)
Slot 22: 0.46 x 0.70 mm / 18 x 25 - Slot round tube: 1.15 mm / 45 (occlusal)

** The Dentaaurum version of this prescription is not claimed to be a duplication of any other, nor does Dentaaurum imply that it is endorsed in any way by Drs. McLaughlin, Bennett and Trevisi.

Ortho-Cast M-Series 18/22

Convertible – with lip bumper/facebow tube gingival – Quantity: 10 pieces

Teeth	Torque	Distal offset	Hook	Width	REF (18)	REF (22)	System
47-46	- 25°	8°	•	3.6 mm	818-147-40	822-147-40	
36-37	- 25°	8°	•	3.6 mm	818-147-30	822-147-30	



CE 0483

Slot 18: 0.46 x 0.64 mm / 18 x 25 - Slot round tube: 1.15 mm / 45 (gingival)
Slot 22: 0.56 x 0.70 mm / 22 x 28 - Slot round tube: 1.15 mm / 45 (gingival)

Maxillary

Mandibular



Ortho-Cast M-Series 18/22

convertible · with lip bumper/facebow tube occlusal · Quantity: 10 pieces

Teeth	Torque	Distal offset	Hook	Width	REF (18)	REF (22)	System
17-16	- 14°	14°	•	3.6 mm	818-131-10	822-131-10	Roth
26-27	- 14°	14°	•	3.6 mm	818-131-20	822-131-20	Roth
17-16	- 14°	10°	•	3.6 mm	818-132-10	822-132-10	McLaughlin-Bennett-Trevisi**
26-27	- 14°	10°	•	3.6 mm	818-132-20	822-132-20	McLaughlin-Bennett-Trevisi**
17-16	- 10°	8°	•	3.6 mm		822-137-10	
26-27	- 10°	8°	•	3.6 mm		822-137-20	

CC 0483

Slot 18: 0.46 x 0.64 mm / 18 x 25 · Slot auxiliary tube: 0.46 x 0.64 mm / 18 x 25 - Slot round tube: 1.15 mm / 45 (occlusal)
 Slot 22: 0.56 x 0.70 mm / 22 x 28 · Slot auxiliary tube: 0.46 x 0.64 mm / 18 x 25 - Slot round tube: 1.15 mm / 45 (occlusal)

** The Dentaurem version of this prescription is not claimed to be a duplication of any other, nor does Dentaurem imply that it is endorsed in any way by Drs. McLaughlin, Bennett and Trevisi.

The perfect combination with our brackets:

discovery
smart



discovery
..pearl



dynamique



dynamique



equilibrium 2



equilibrium mini



Dentaurum

Germany | Benelux | España | France | Italia | Switzerland | Australia | Canada | USA
and in more than 130 countries worldwide.



DENTAURUM
QUALITY
WORLDWIDE
UNIQUE

	www.dentaurum.com		

Date of information: 2023-10
Subject to modifications



Turnstr. 31 | 75228 Ispringen | Germany | Phone +49 72 31/803-0 | Fax +49 72 31/803-295
www.dentaurum.com | info@dentaurum.com